

Information about BOSCH CRI 3-xx with IQA/ISA-Function

AUDI

Image Caption:

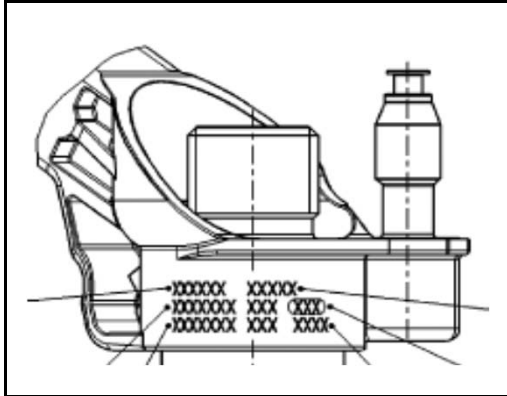
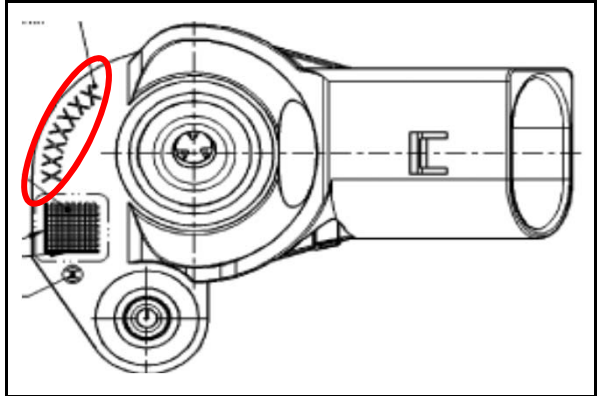


Image Caption:



Remarks:

Use only the first 7 characters

Font Information:

OCR-A
according to DIN66008 part 1

Information about BOSCH CRI 3-xx with IQA/ISA-Function

BMW

Image Caption:

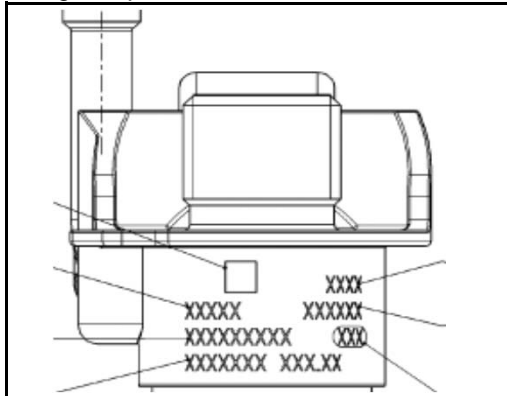
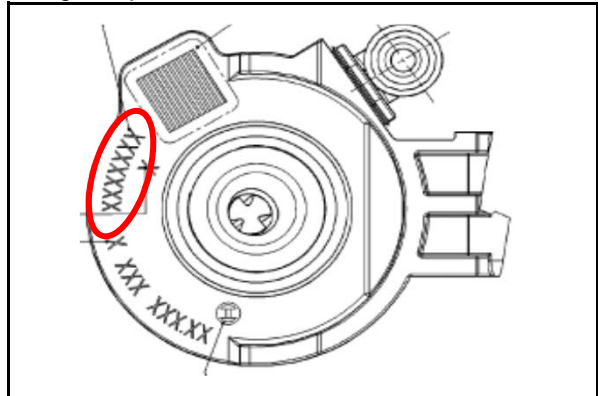


Image Caption:



Remarks:

Use only the first 7 characters

Font Information:

Regular type according to DIN 1451
with crossed out Zero

Information about BOSCH CRI 3-xx with IQA/ISA-Function

CUMMINS

Image Caption:

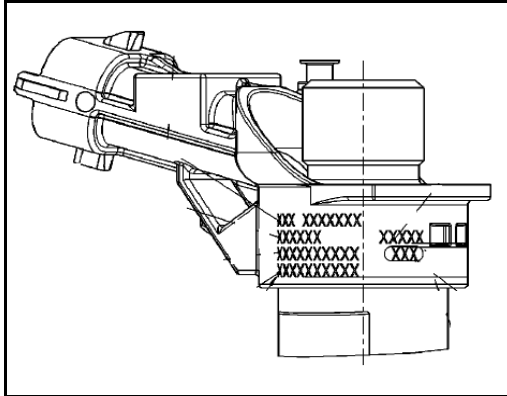
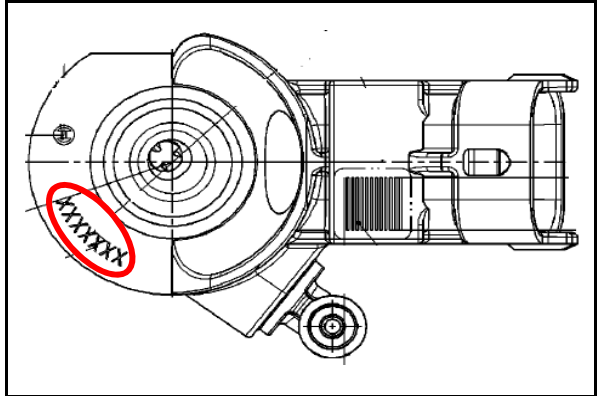


Image Caption:



Remarks:

Use only the first 7 characters

Font Information:

OCR-A
according to DIN66008 part 1

Information about BOSCH CRI 3-xx with IQA/ISA-Function

DAIMLER

Image Caption:

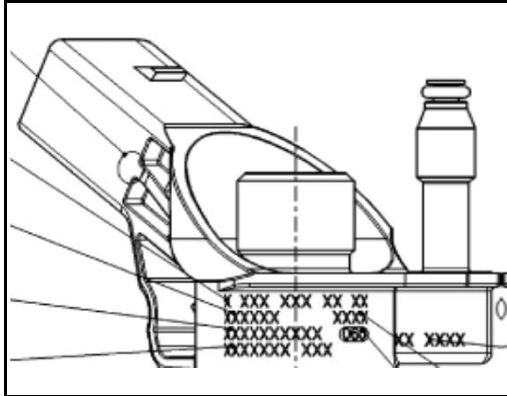
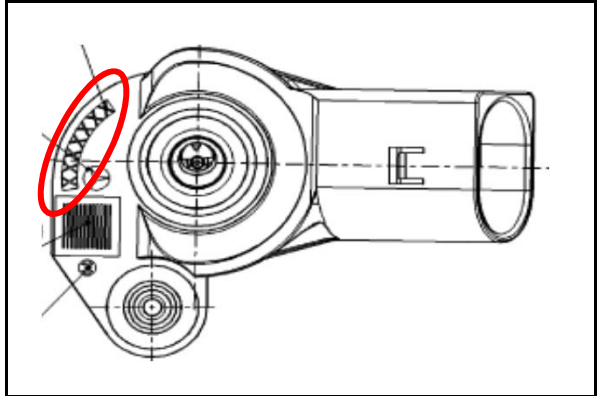


Image Caption:



Remarks:

Use only the first 7 characters

Font Information:

OCR-A
according to DIN66008 part 1

Information about BOSCH CRI 3-xx with IQA/ISA-Function

DAIMLER

Image Caption:

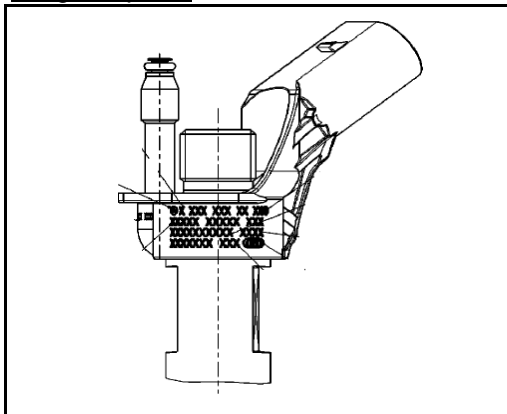
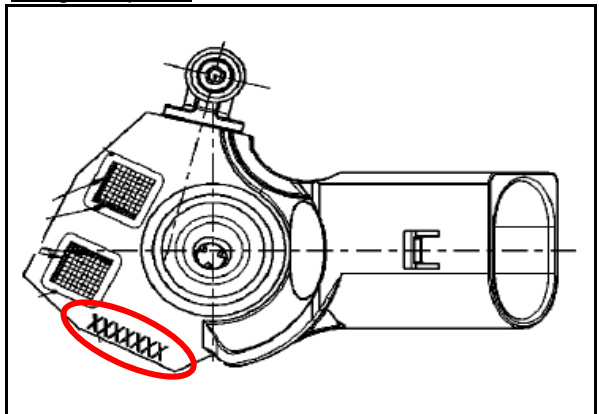


Image Caption:



Remarks:

Use only the first 7 characters

Font Information:

OCR-A
according to DIN66008 part 1

Information about BOSCH CRI 3-xx with IQA/ISA-Function

FORD

Image Caption:

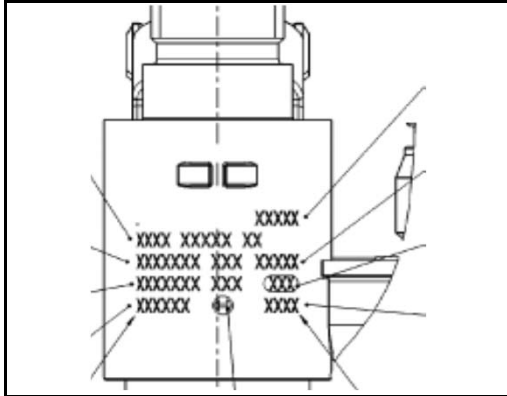
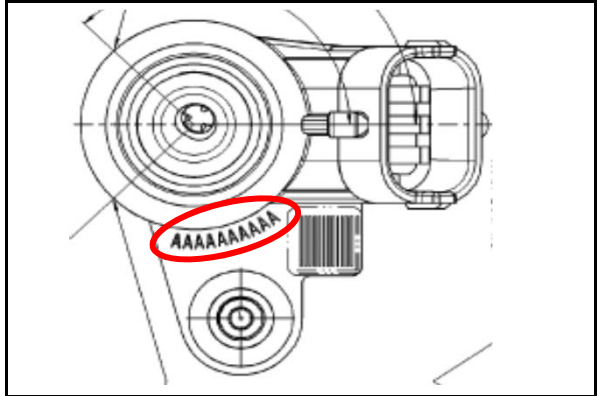


Image Caption:



Remarks:

Use only the first 7 characters

Font Information:

OCR-A
according to DIN66008 part 1

Information about BOSCH CRI 3-xx with IQA/ISA-Function

GM

Image Caption:

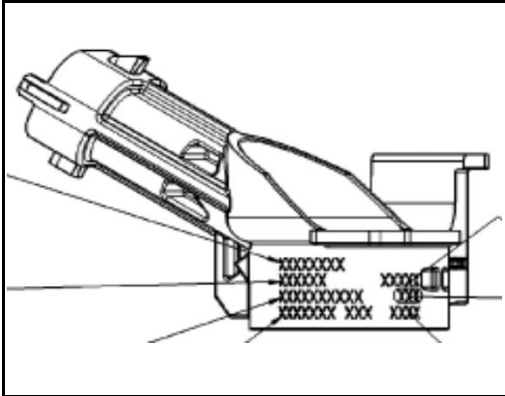
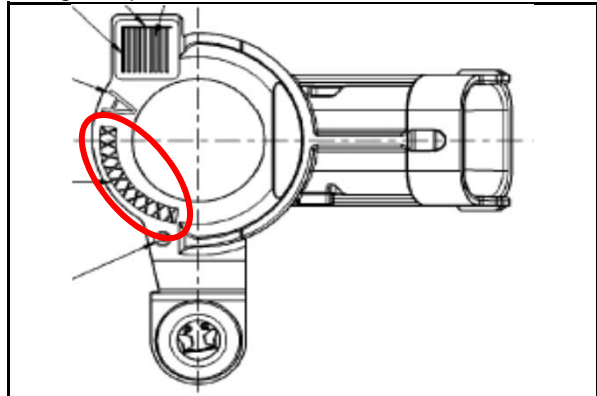


Image Caption:



Remarks:

Use only the first 10 characters

Font Information:

OCR-A
according to DIN66008 part 1

Information about BOSCH CRI 3-xx with IQA/ISA-Function

GMPT

Image Caption:

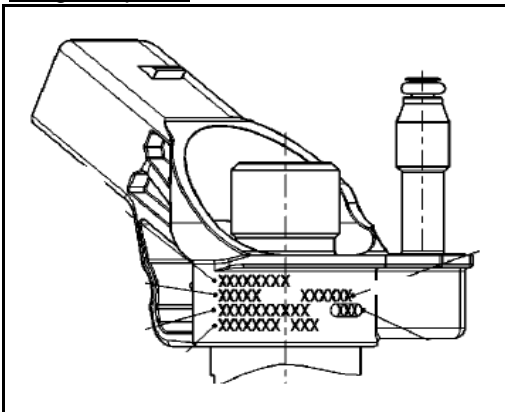
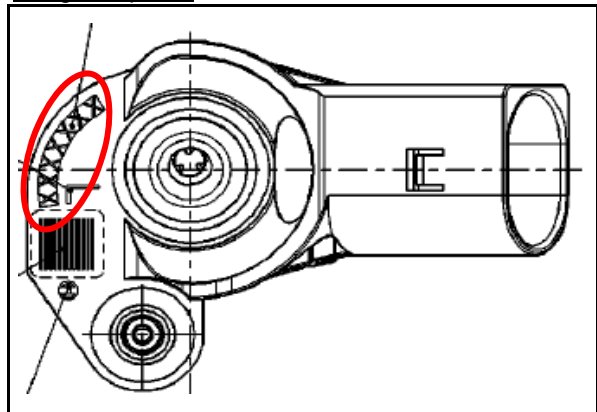


Image Caption:



Remarks:

Use only the first 7 characters

Font Information:

OCR-A
according to DIN66008 part 1

Information about BOSCH CRI 3-xx with IQA/ISA-Function

HMC

Image Caption:

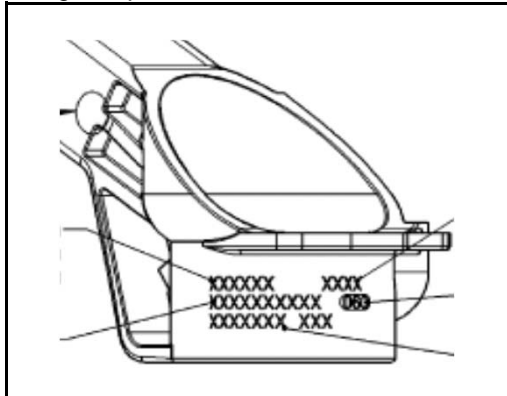
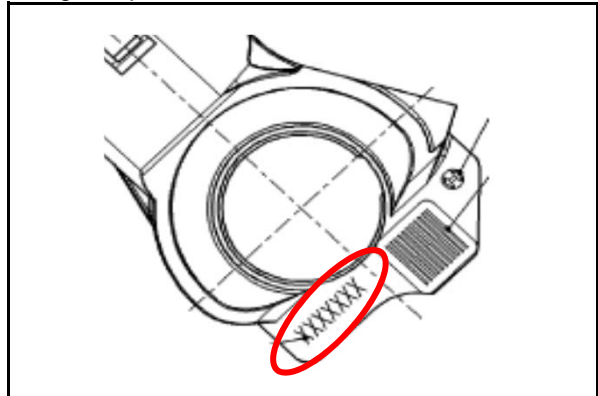


Image Caption:



Remarks:

Use only the first 7 characters

Font Information:

OCR-A
according to DIN66008 part 1

Information about BOSCH CRI 3-xx with IQA/ISA-Function

HONDA

Image Caption:

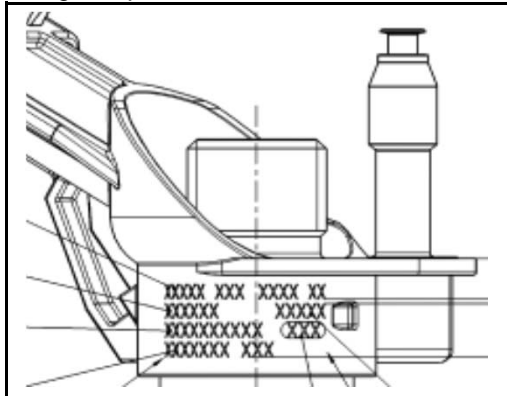
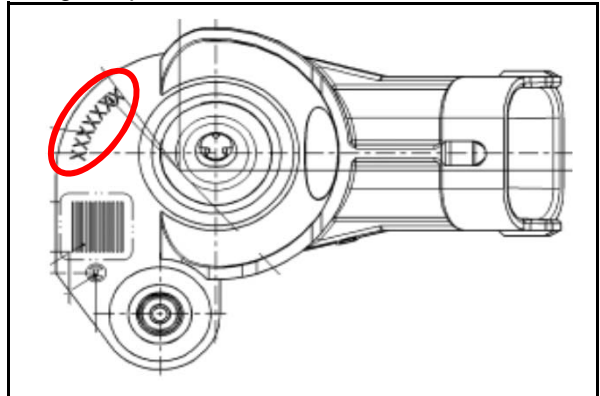


Image Caption:



Remarks:

Use only the first 7 characters

Font Information:

OCR-A
according to DIN66008 part 1

Information about BOSCH CRI 3-xx with IQA/ISA-Function

PSA

Image Caption:

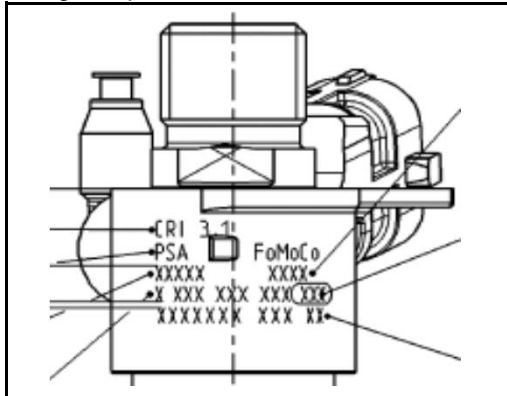
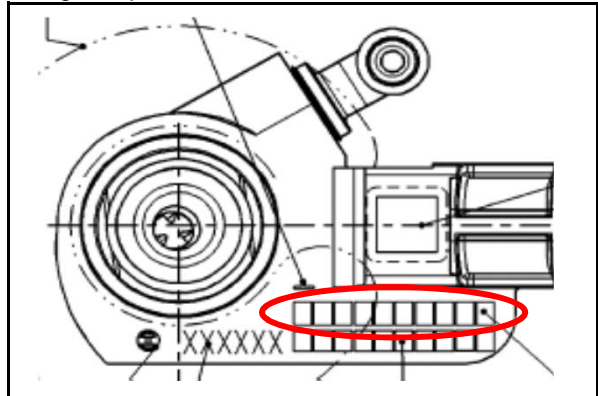


Image Caption:



Remarks:

Use only the first 10 characters

Font Information:

OCR-A
according to DIN66008 part 1

Information about BOSCH CRI 3-xx with IQA/ISA-Function

RENAULT

Image Caption:

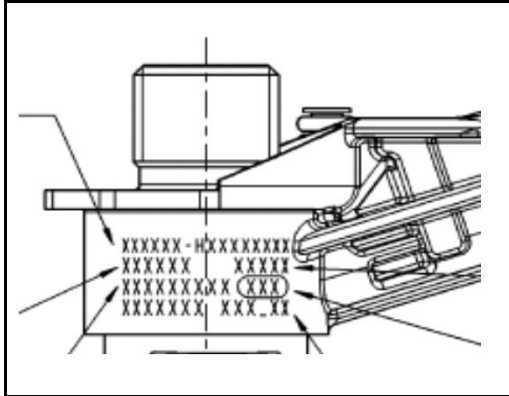
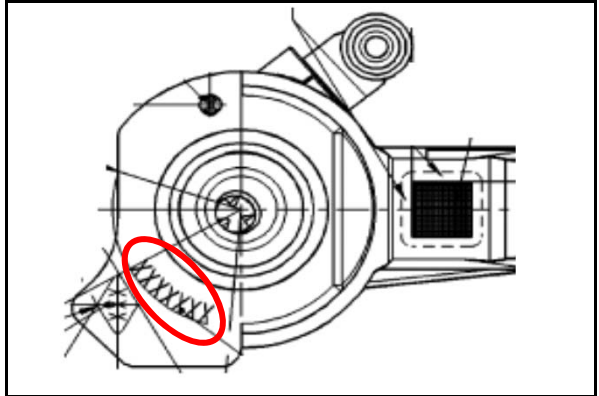


Image Caption:



Remarks:

Use only the first 7 characters

Font Information:

OCR-A
according to DIN66008 part 1

Information about BOSCH CRI 3-xx with IQA/ISA-Function

TOYOTA

Image Caption:

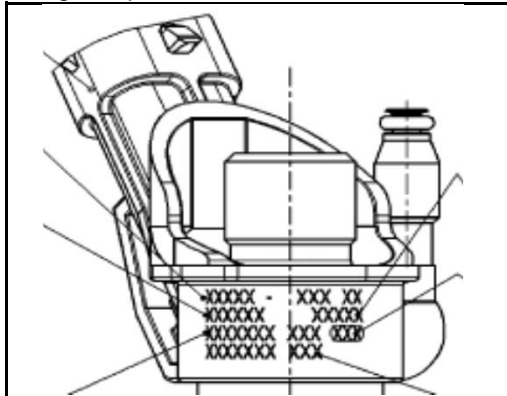
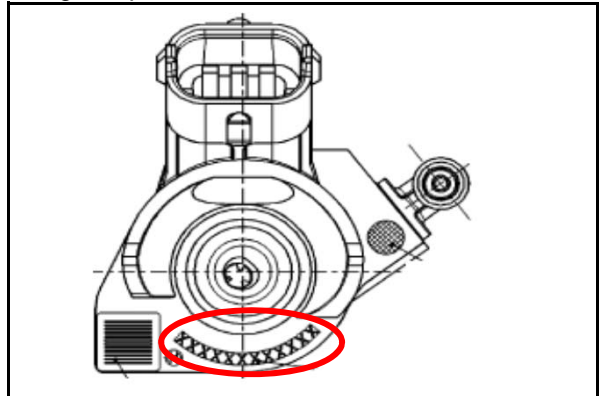


Image Caption:



Remarks:

Use only the first 10 characters

Font Information:

OCR-A
according to DIN66008 part 1

Information about BOSCH CRI 3-xx with IQA/ISA-Function

VOLVO

Image Caption:

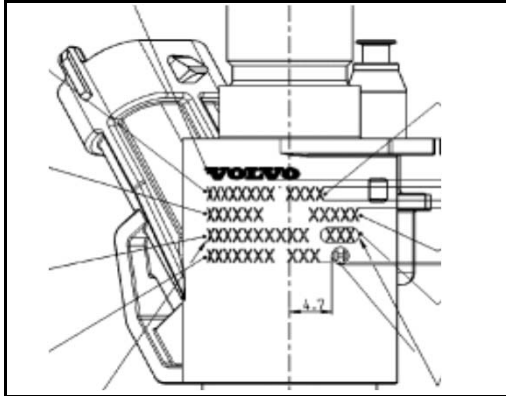
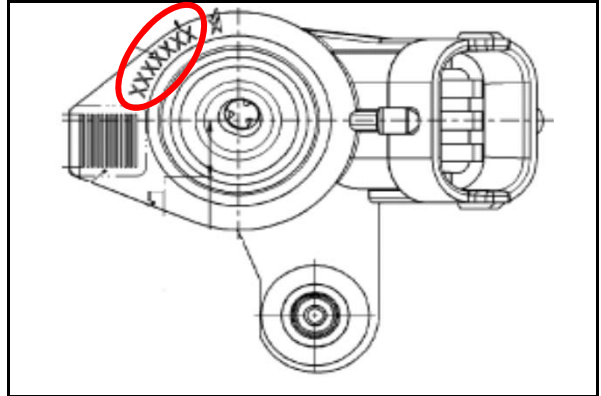


Image Caption:



Remarks:

Use only the first 7 characters

Font Information:

OCR-A
according to DIN66008 part 1

Information about BOSCH CRI 3-xx with IQA/ISA-Function

VM

Image Caption:

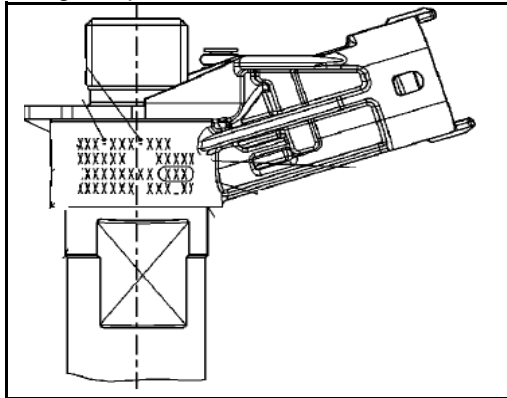
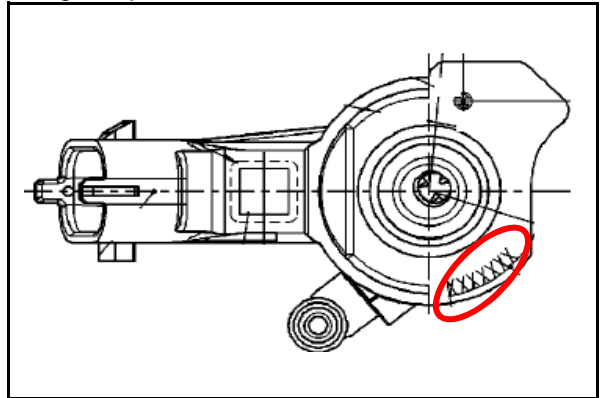


Image Caption:



Remarks:

Use only the first 7 characters

Font Information:

Regular type according to DIN 1451
with crossed out Zero

Information about BOSCH CRI 3-xx with IQA/ISA-Function

VW

Image Caption:

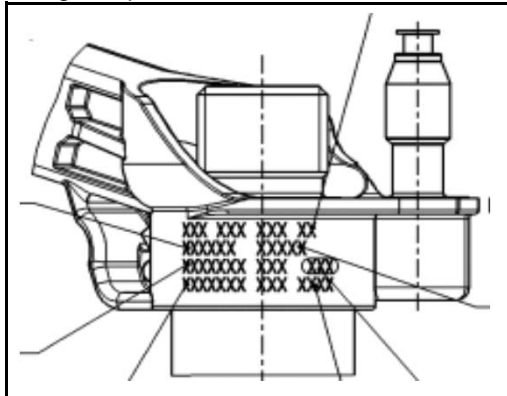
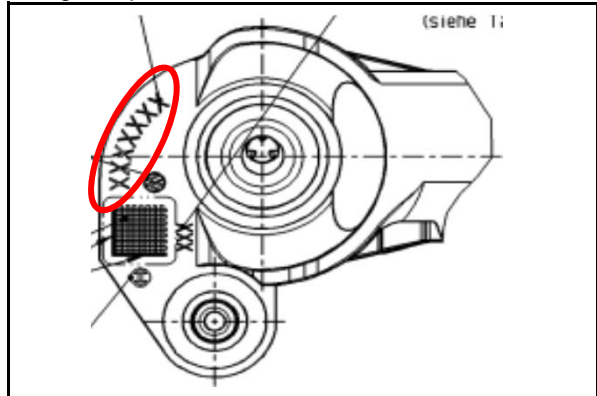


Image Caption:



Remarks:

Use only the first 7 characters

Font Information:

OCR-A
according to DIN66008 part 1